



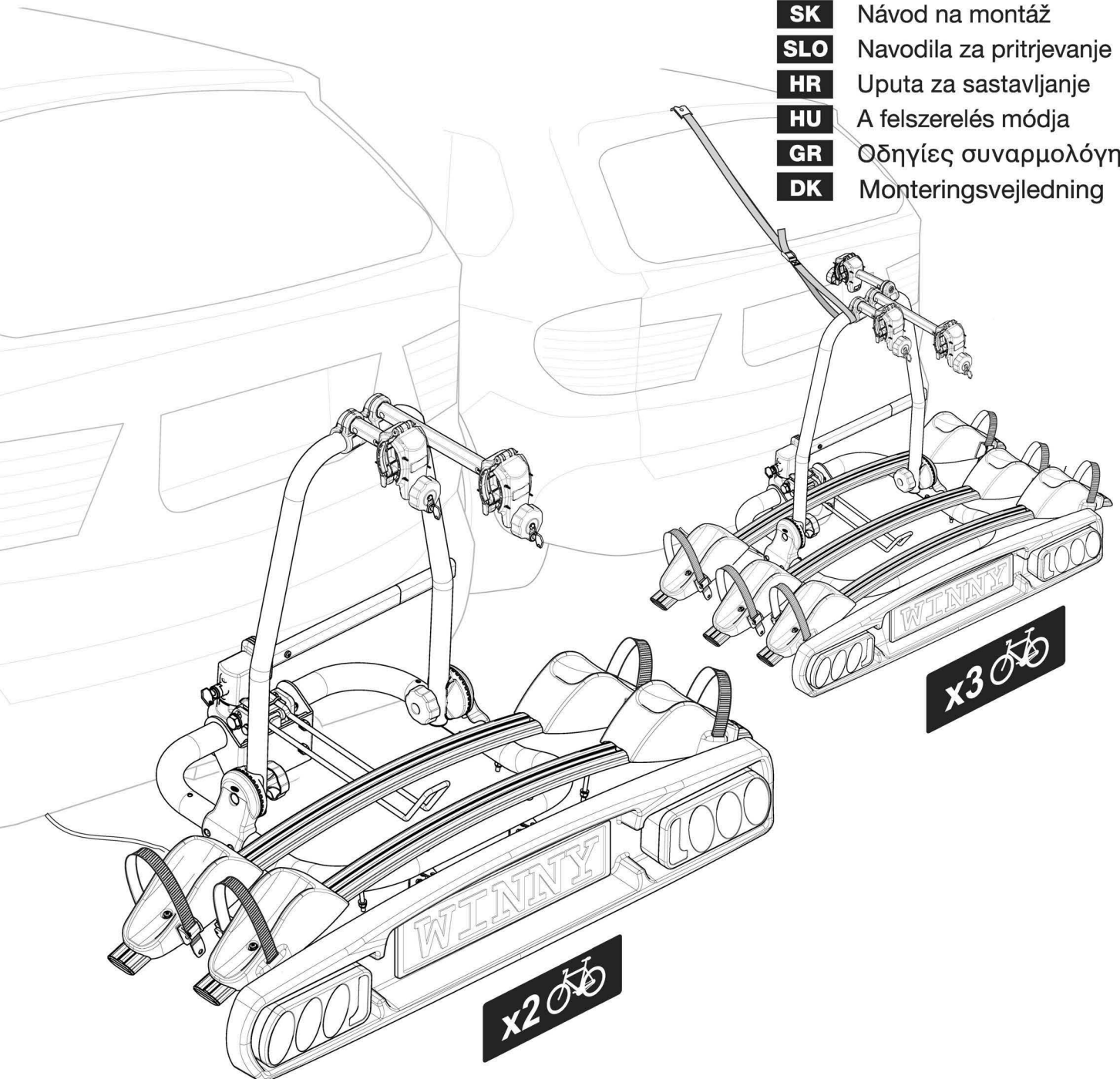
WINNY



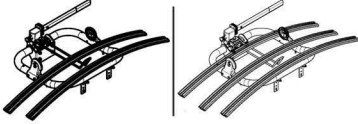
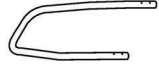






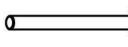
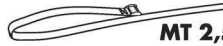


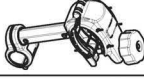
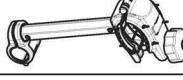










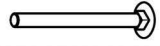

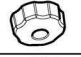

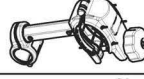
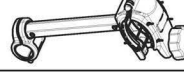


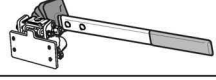



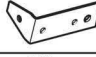

WINNY PLUS



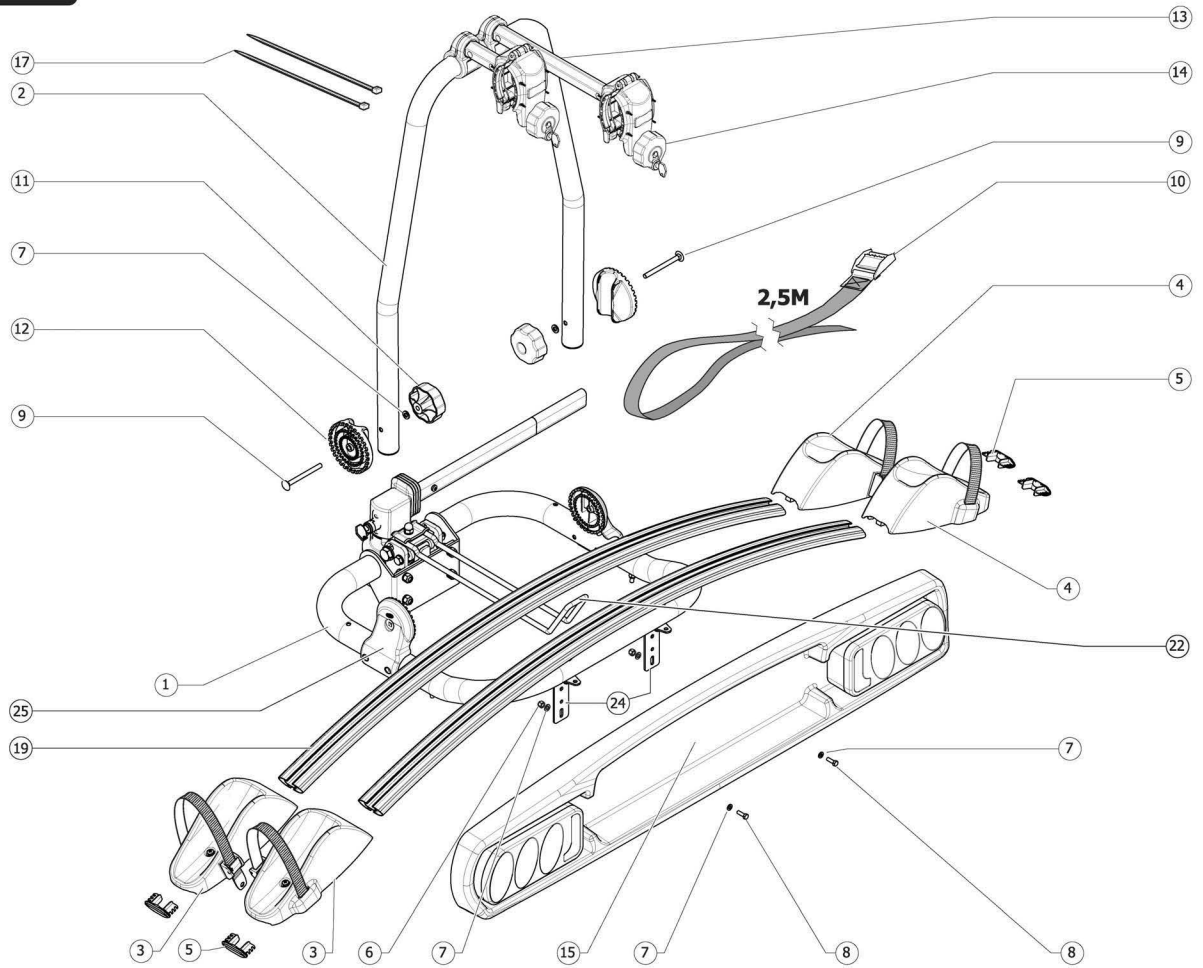
- I** Istruzioni per il montaggio
- GB** Fitting instructions
- D** Montageanleitung
- F** Instructions de montage
- E** Instrucciones de montaje
- NL** Montage-instructies
- PT** Instruções de Montagem
- S** Monteringsanvisning
- FIN** Asennusohje
- EST** Paigaldusjuhend
- LAT** Stiprināšanas instrukcija
- LIT** Pritvirtinimo instrukcijos
- PL** Instrukcja montażu
- RU** Инструкции по установке
- CZ** Návod na montáž
- SK** Návod na montáž
- SLO** Navodila za pritrjevanje
- HR** Uputa za sastavljanje
- HU** A felszerelés módja
- GR** Οδηγίες συναρμολόγησης
- DK** Monteringsvejledning



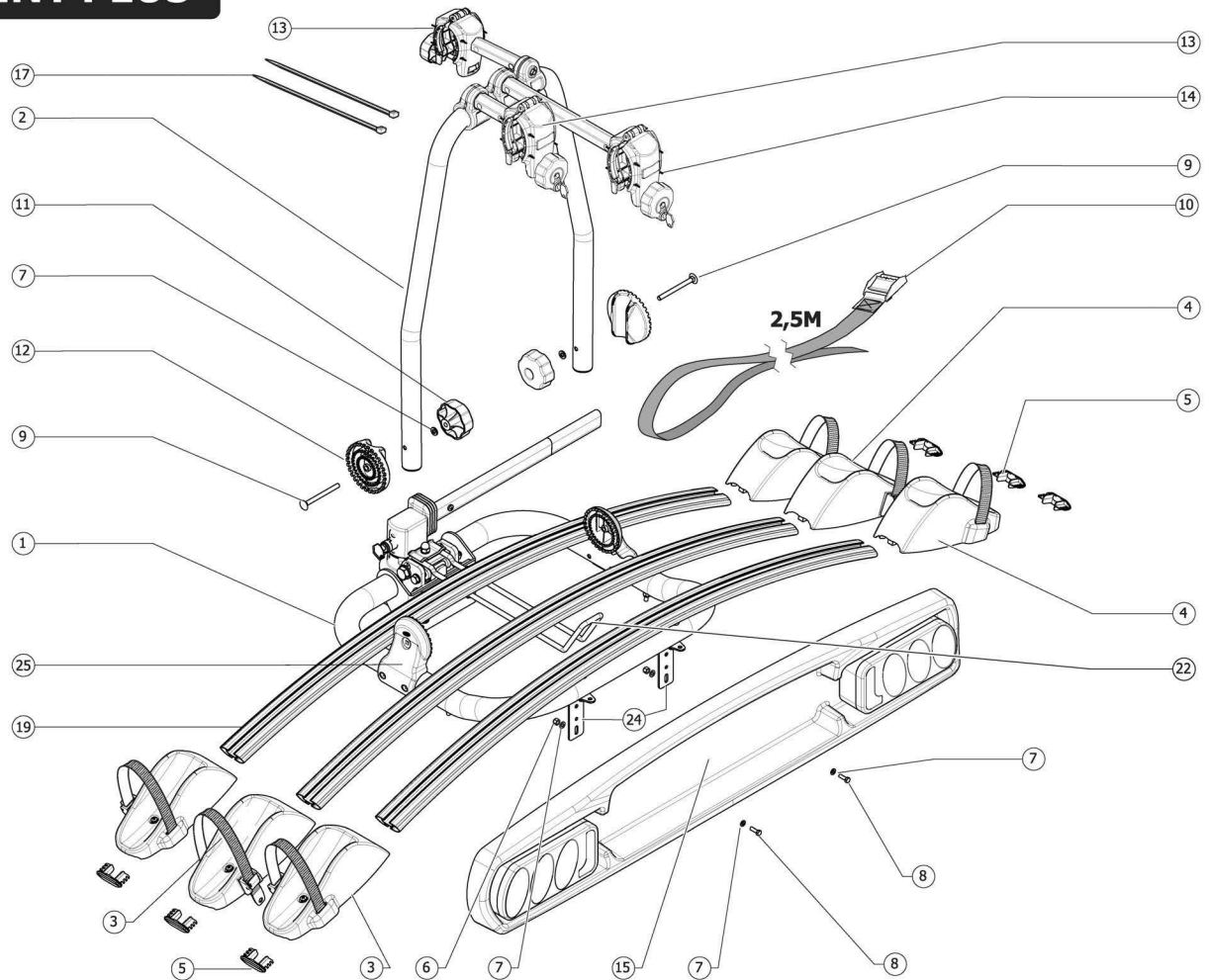
N.	I Componenti (Inclusi) GB Components (Included) F Composants (Comprises) DE Die Komponenten (im Lieferumfang enthalten) E Componentes (Incluido) RU Компоненты (в комплекте)	WINNY	WINNY PLUS
		x2 	x3 
		Q.	Q.
1		1	1
2		1	1
3	 SX	2	3
4	 DX	2	3
5		4	6
6	 M6	2	2
7	 M6	6	6
8	 M6x14	2	2
9	 M6x70	2	2
10	 MT 2,5	1	2
11		2	2
12		2	2
13		1	2
14		1	1
15		1	1
16		-	1
17		2	2

N.	I Ricambi (A Richiesta) GB Spare Parts (Made to order) F Pièces de rechange (Sur commande) DE Teile (auf Anfrage) E Piezas de recambio (Previa solicitud) RU Запасные части (по запросу)	Q.	Codice Code Code Código код
4		1	
5		2	700005100000
6	 M6	2	700013300000
7	 M6	6	
8	 M6x14	2	
9	 M6x70	2	
10	 MT 2,5	1	700001100000
11		2	700001900000
12		2	700007000000
13		1	700003200000
14		1	700003100000
16		1	700004700000
19		1	700013400000
20		1	700011400000
21		1	700013500000
22		1	700013600000
23		1	700003300000
24		2	700003400000
25		1	700013700000




WINNY

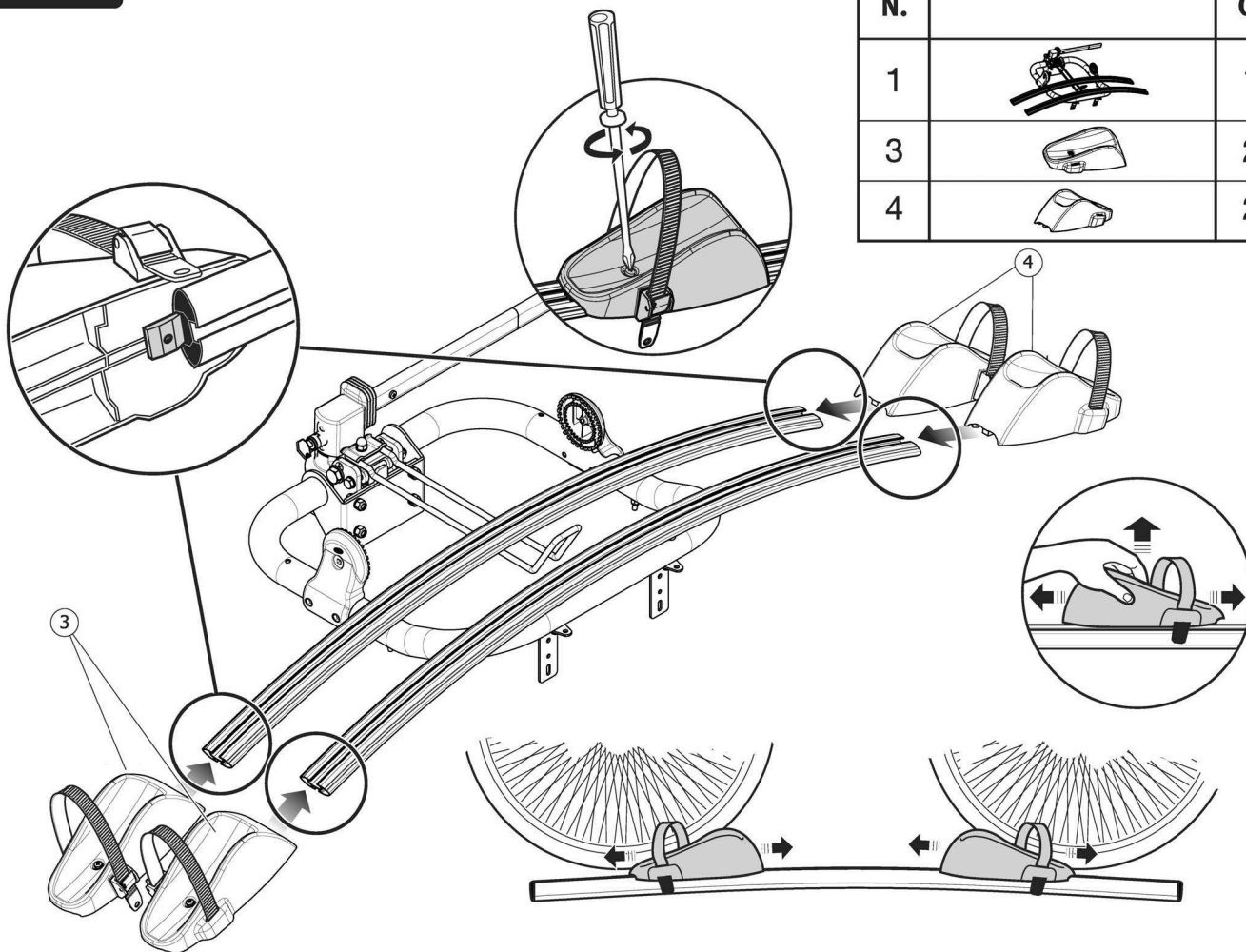


WINNY PLUS






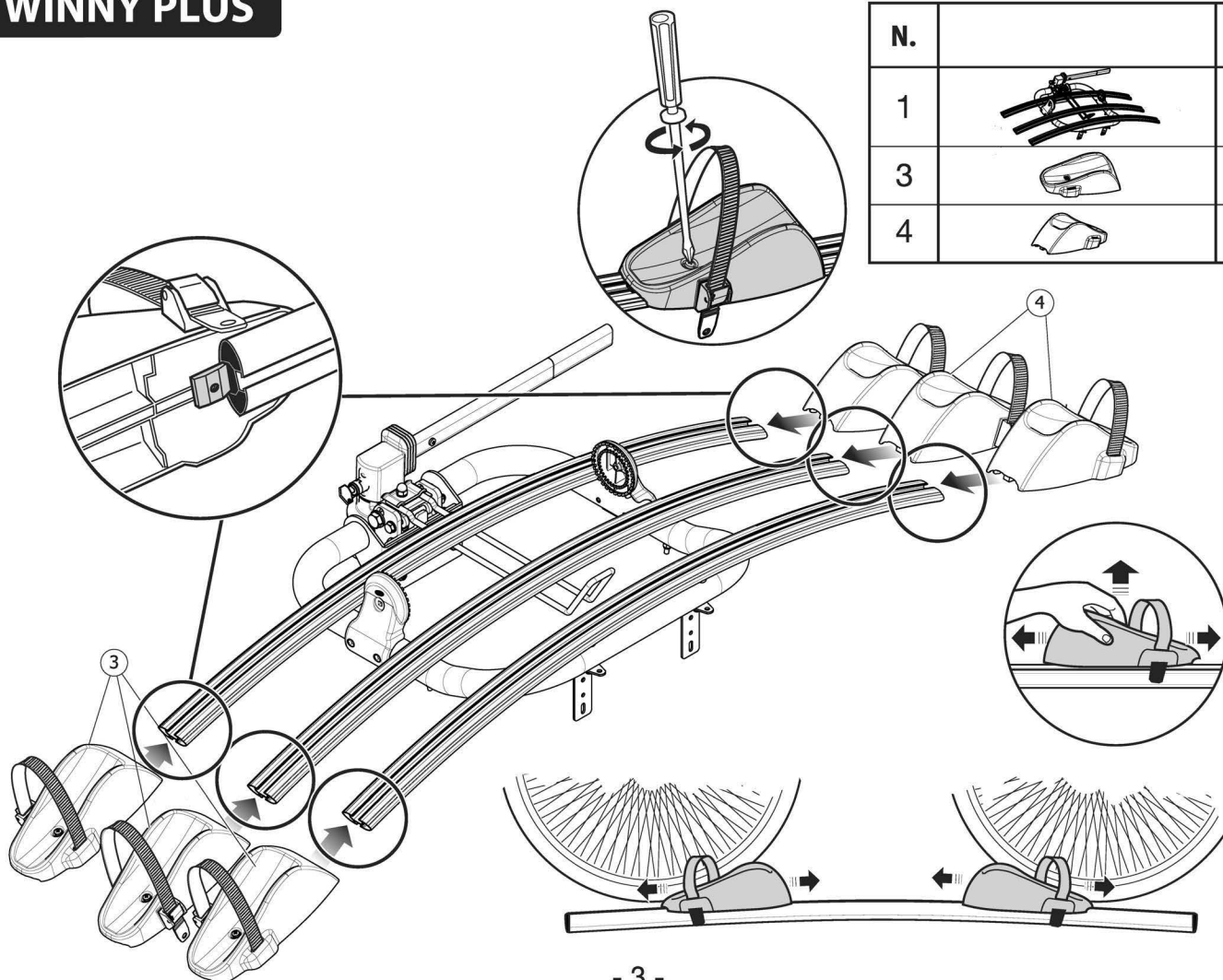
1 WINNY

N.		Q.
1		1
3		2
4		2




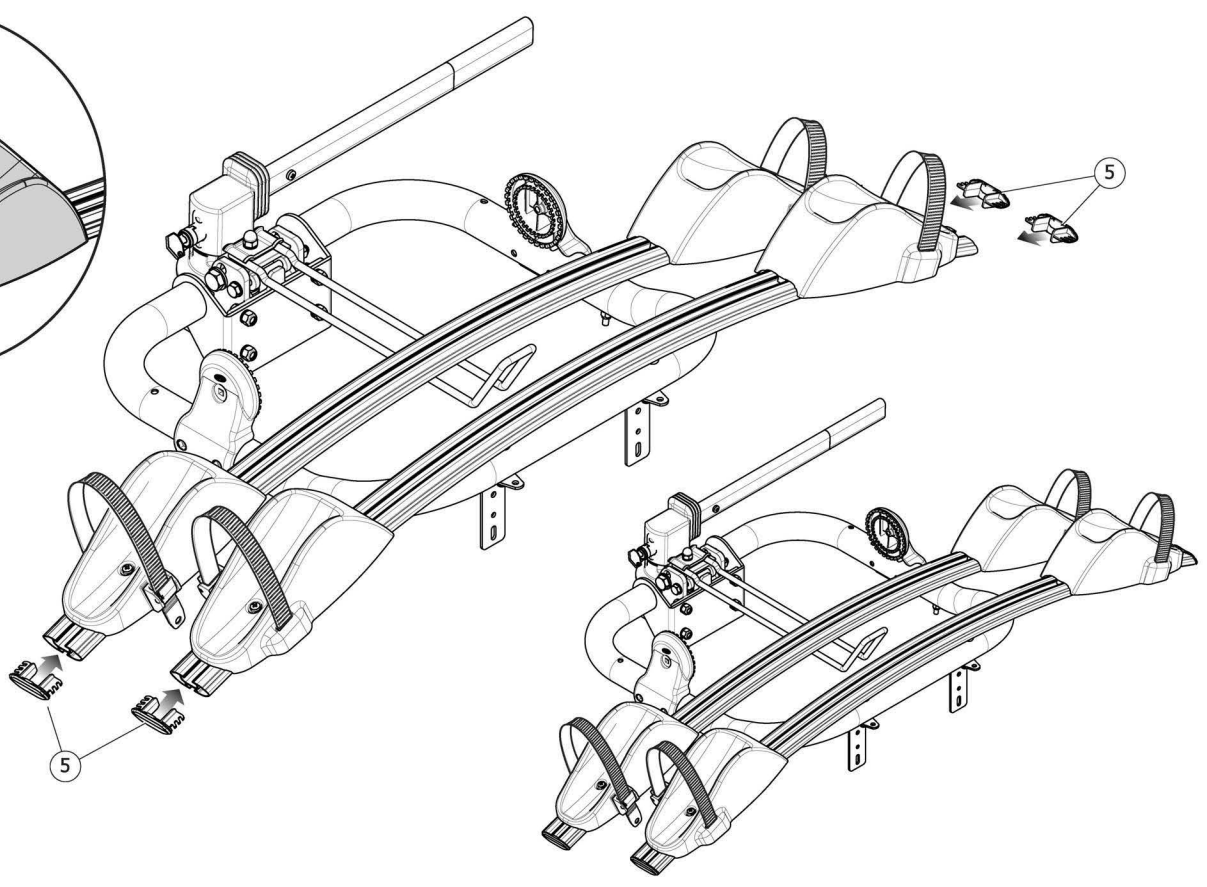
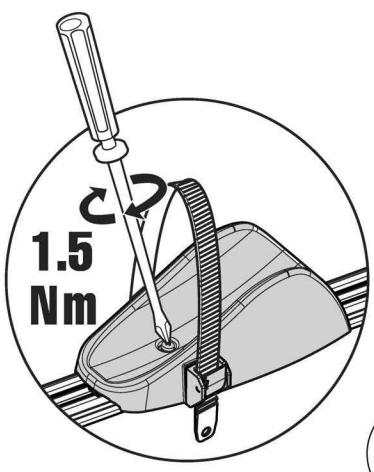
1 WINNY PLUS

N.		Q.
1		1
3		3
4		3




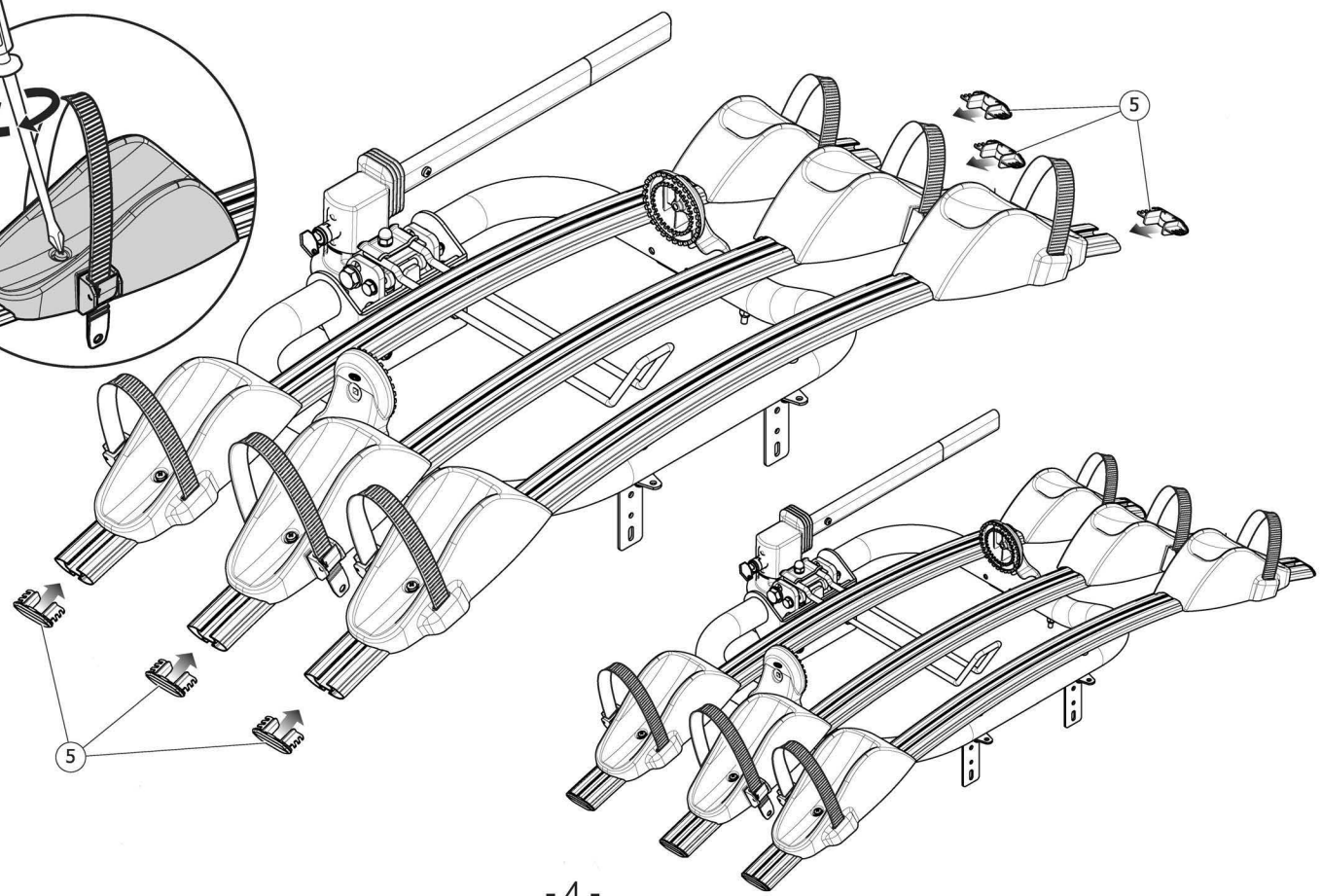
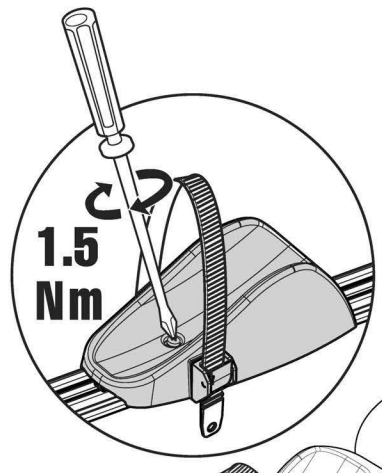
2 WINNY

N.		Q.
5		4

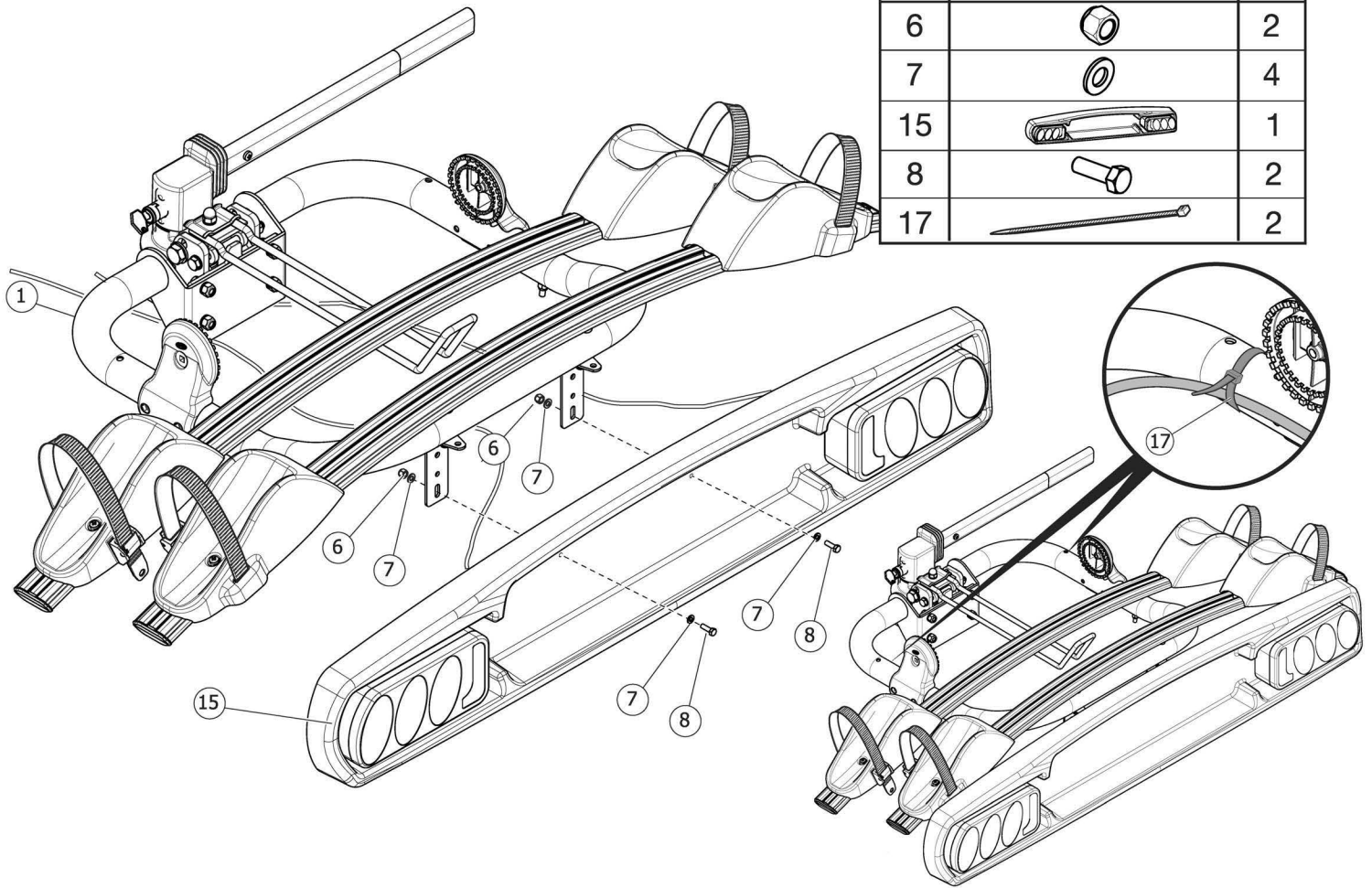


2 WINNY PLUS

N.		Q.
5		6



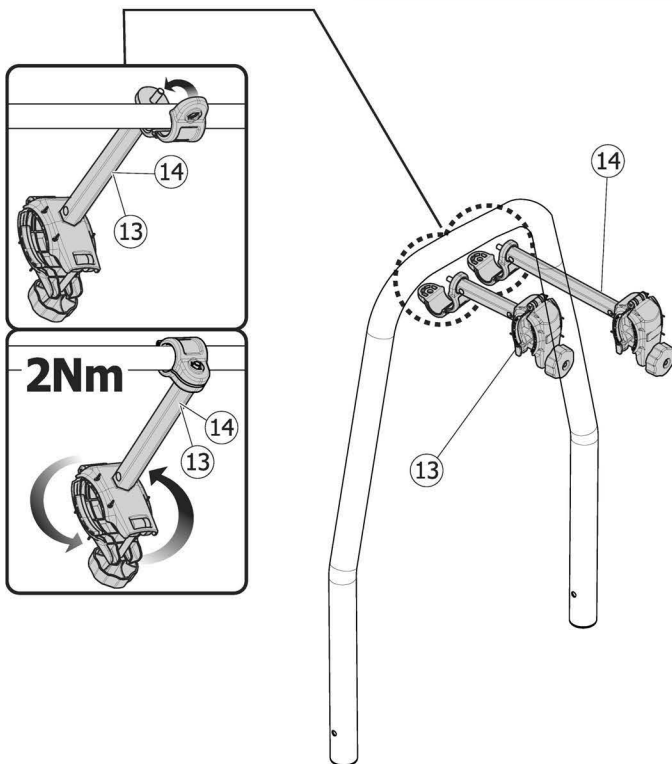
3 WINNY - WINNY PLUS



N.		Q.
6		2
7		4
15		1
8		2
17		2

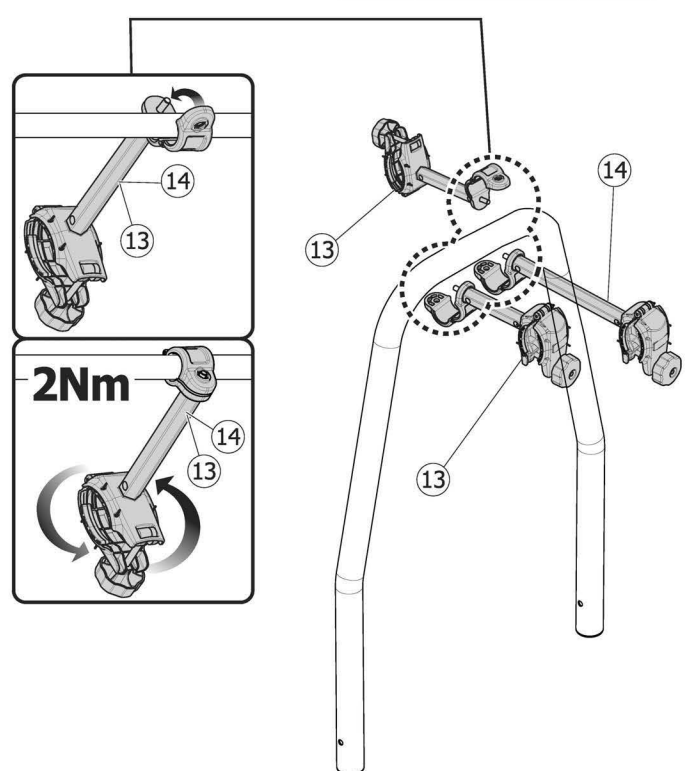
4 WINNY

N.		Q.
2		1
13		1
14		1








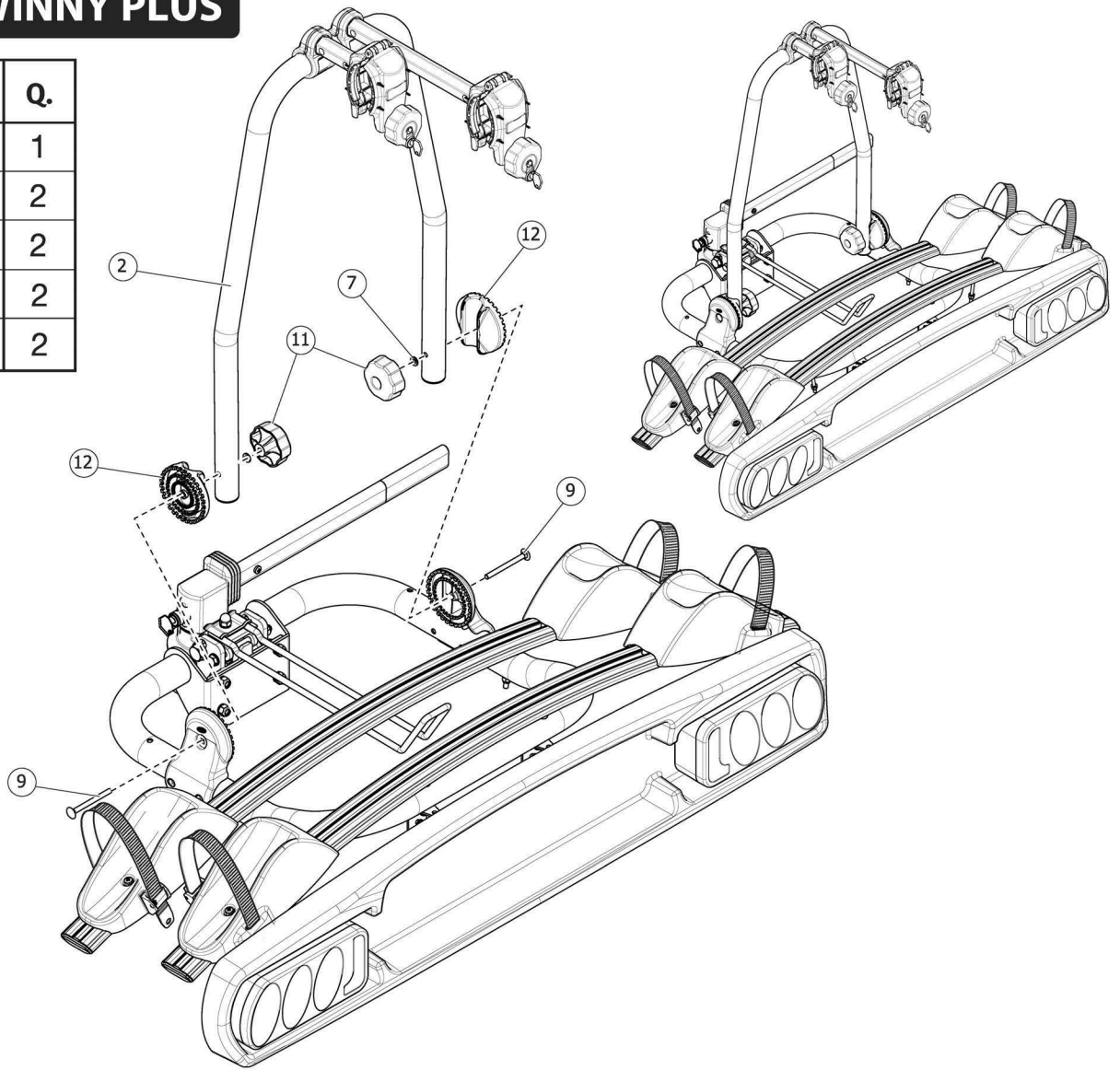
4 WINNY PLUS

N.		Q.
2		1
13		2
14		1

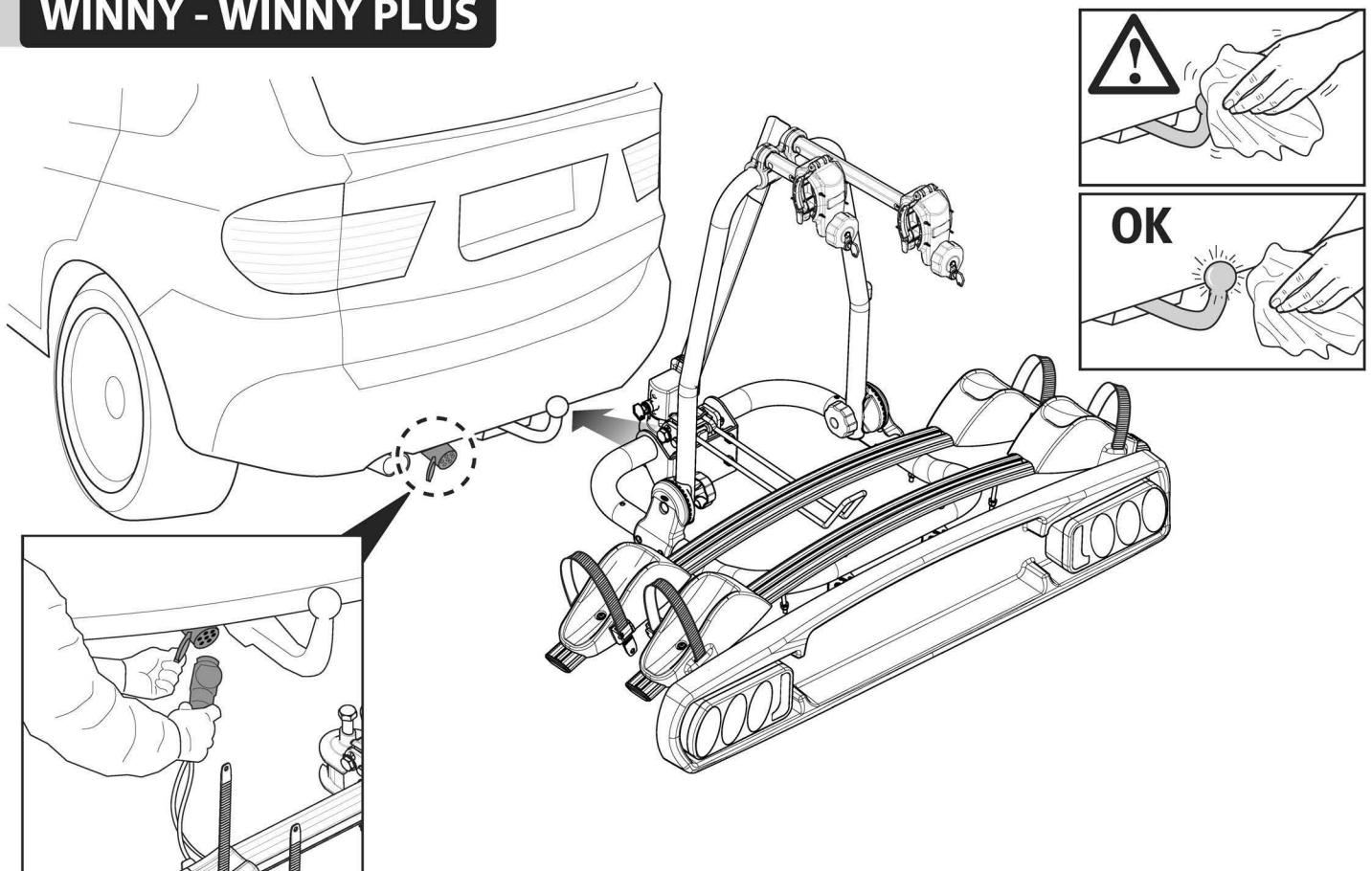


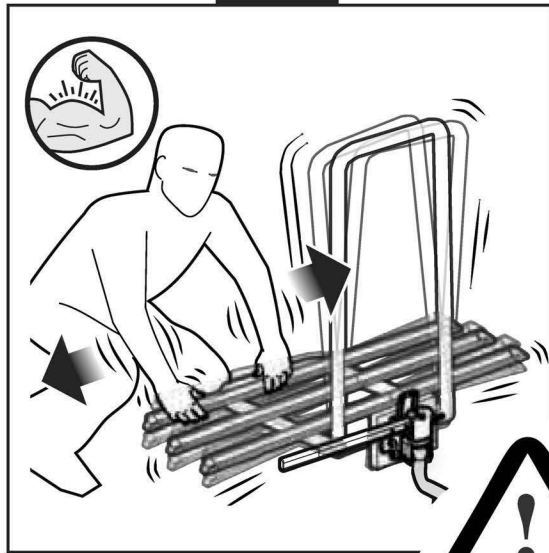
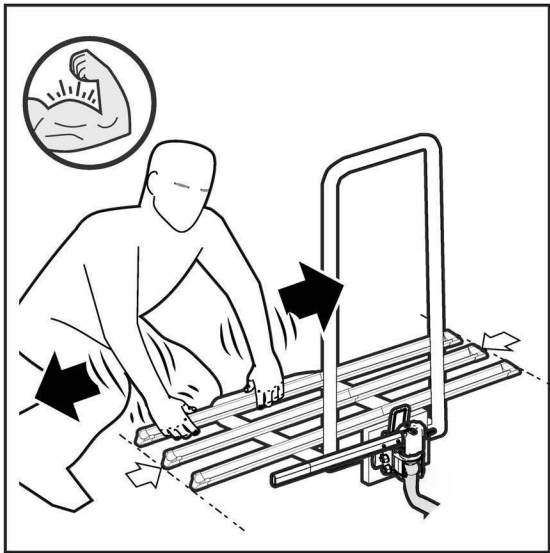
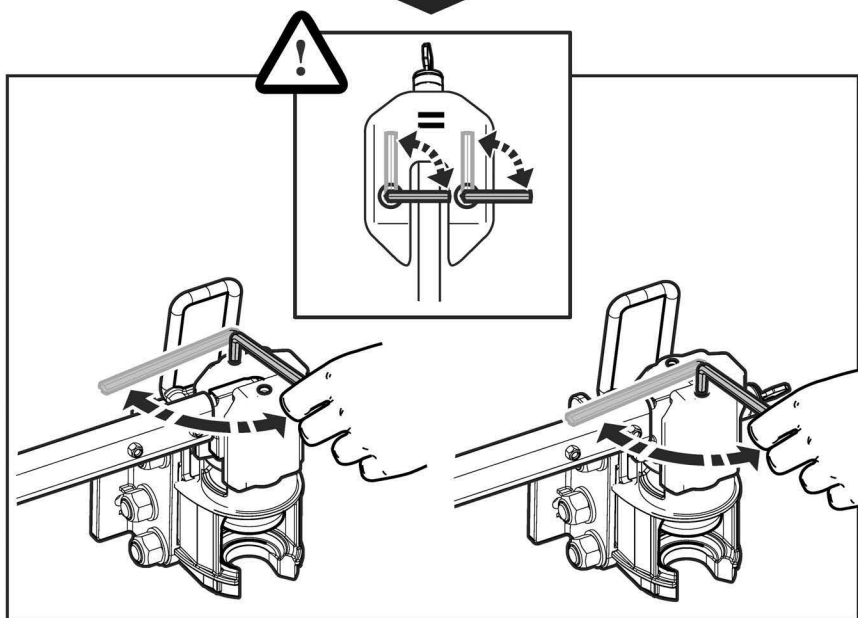
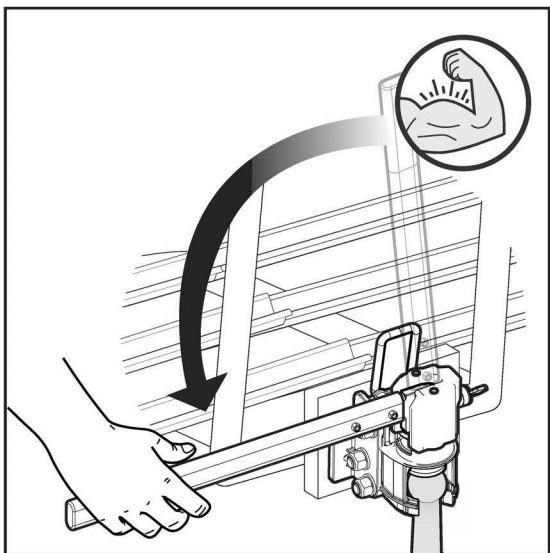
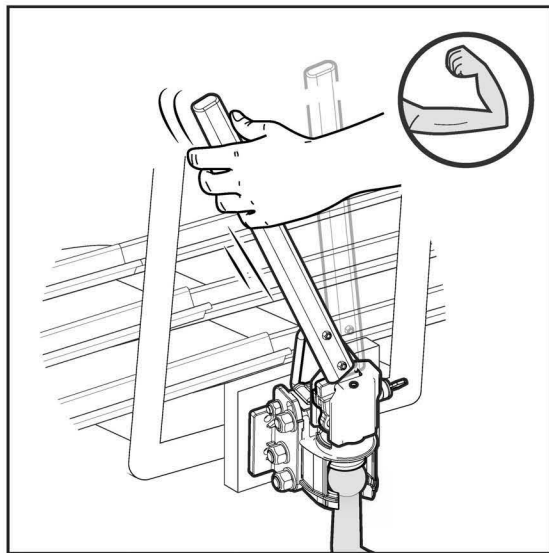
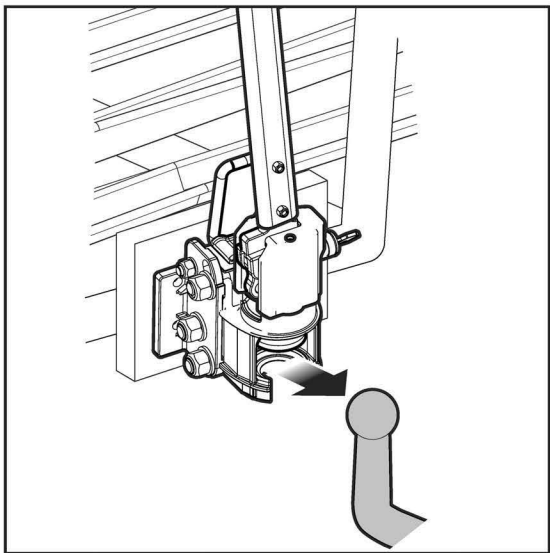
5 WINNY - WINNY PLUS

N.		Q.
2		1
11		2
12		2
7		2
9		2

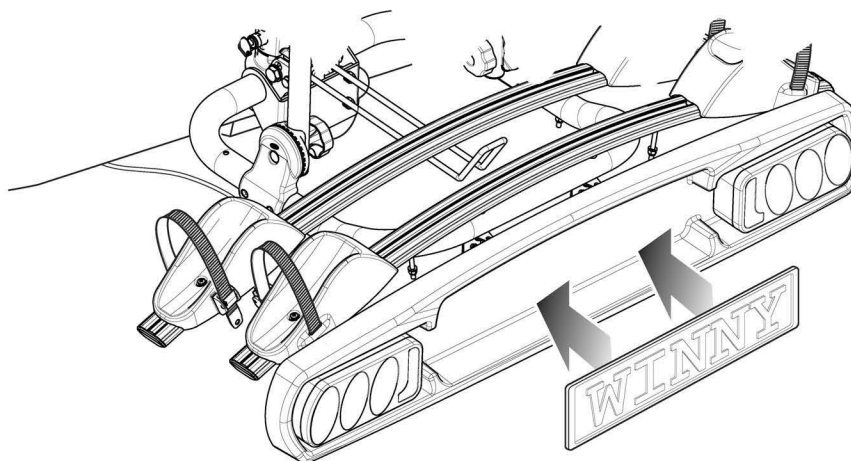


6.1 WINNY - WINNY PLUS

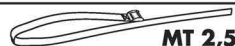



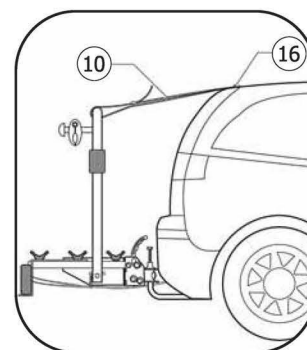
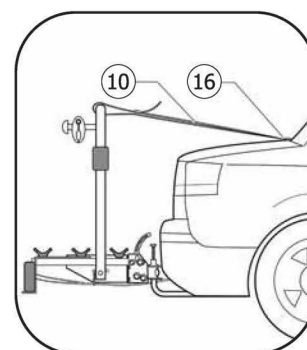
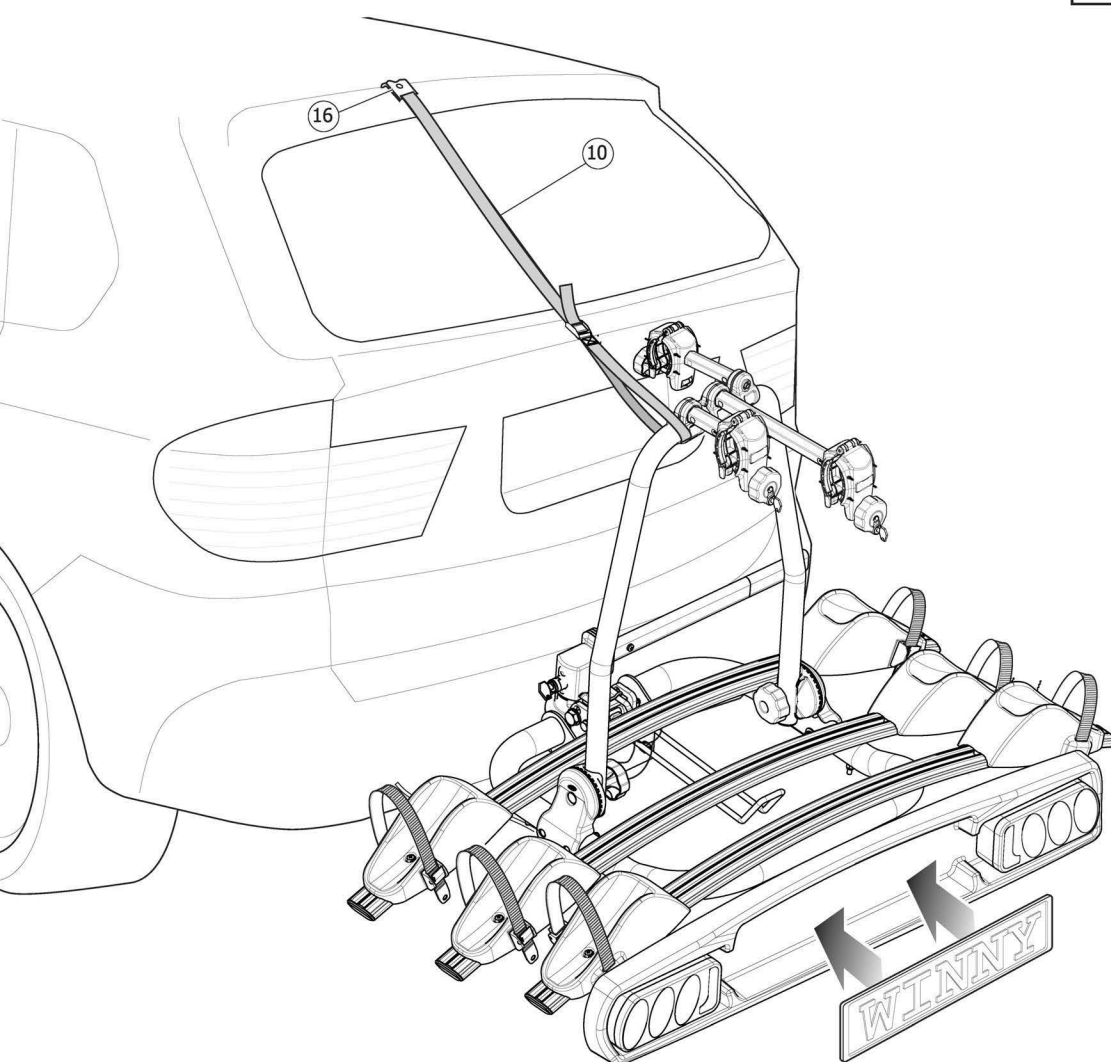


7 WINNY

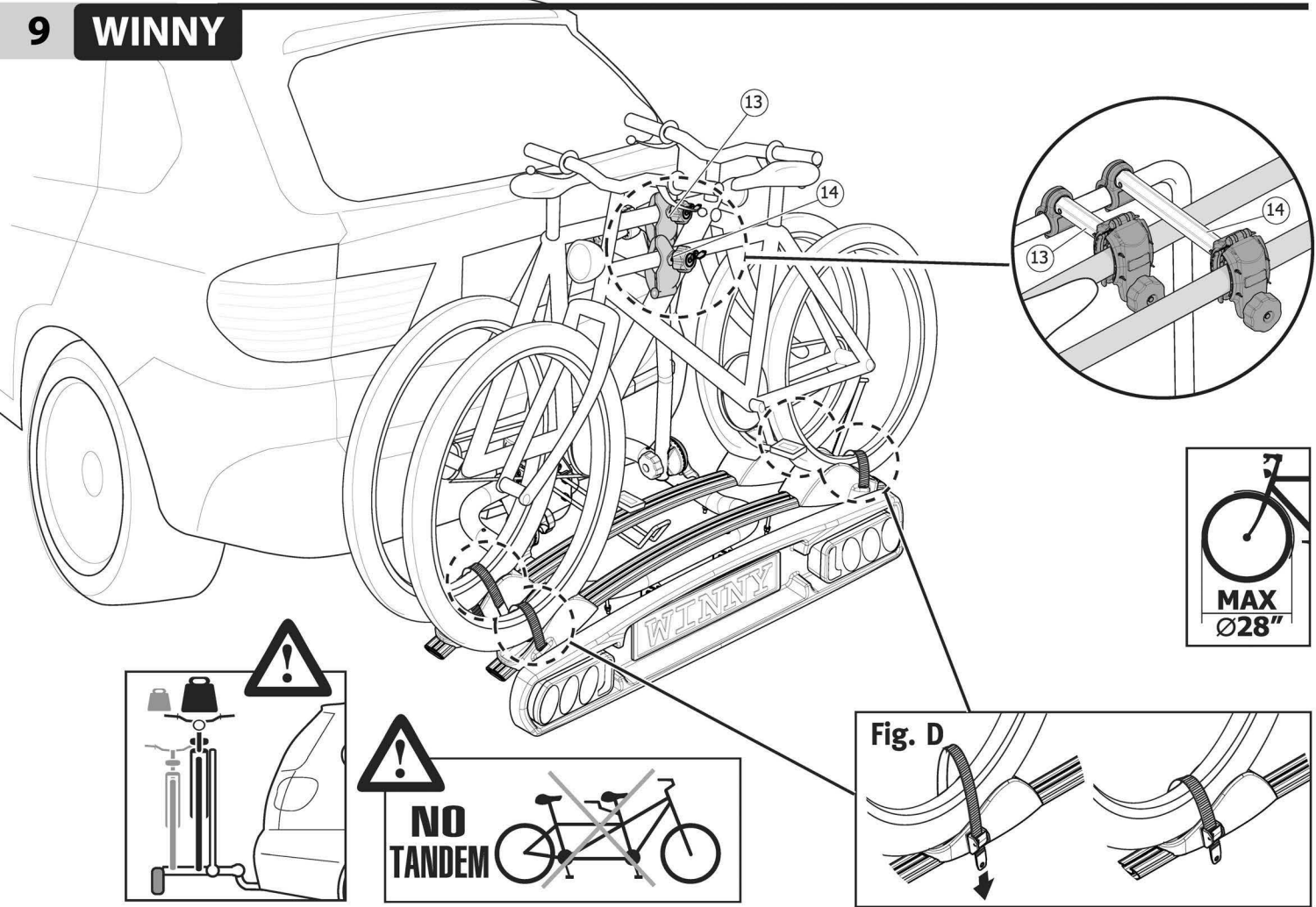


8 WINNY PLUS

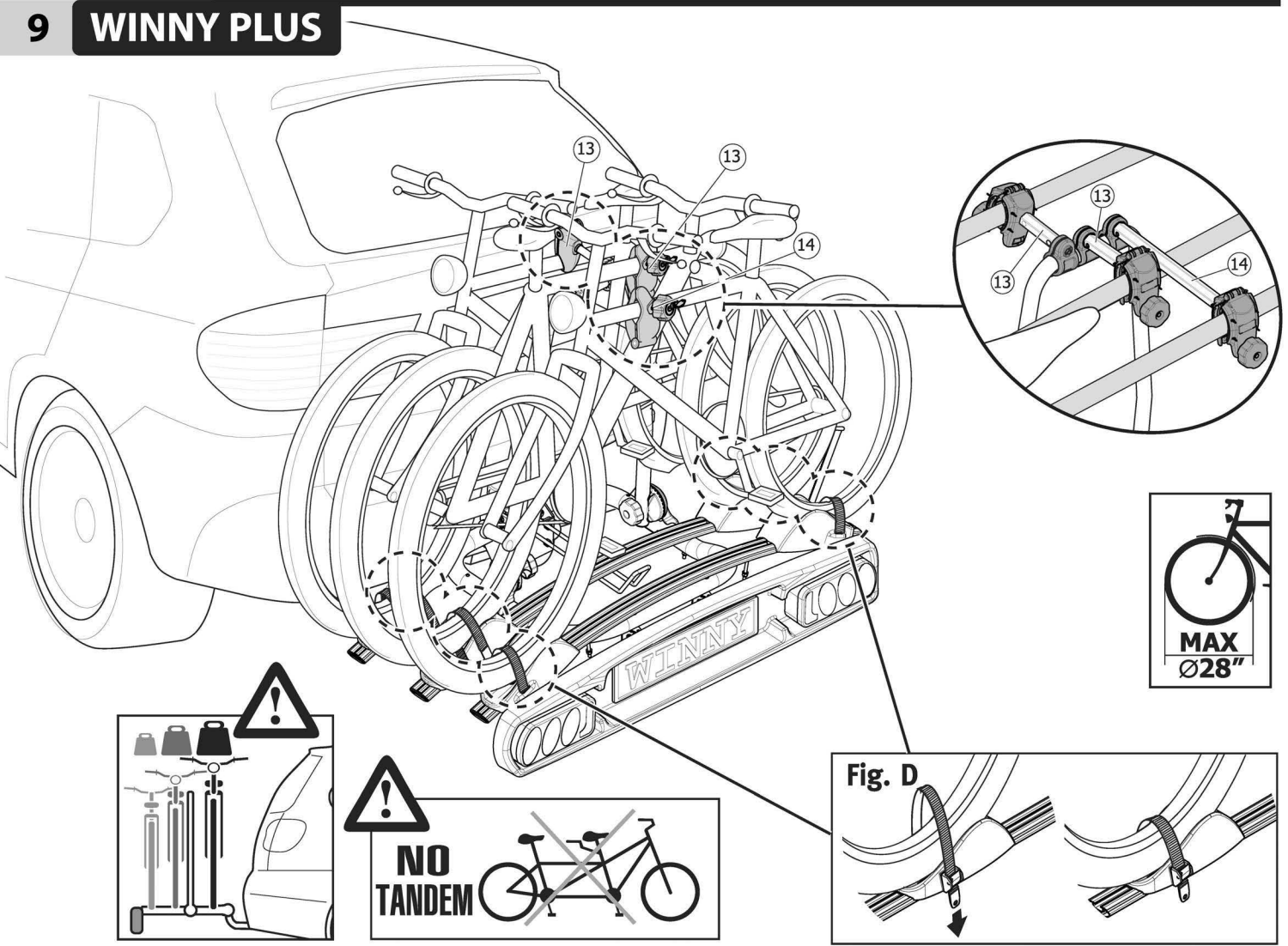
N.		Q.
10	 MT 2,5	1
16		1




9 WINNY

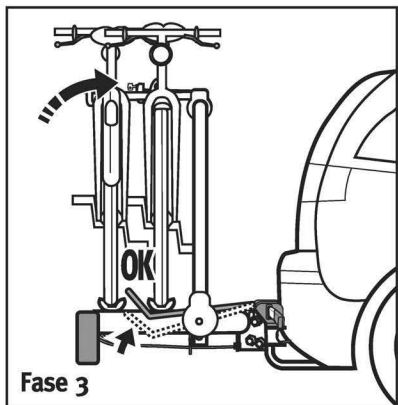
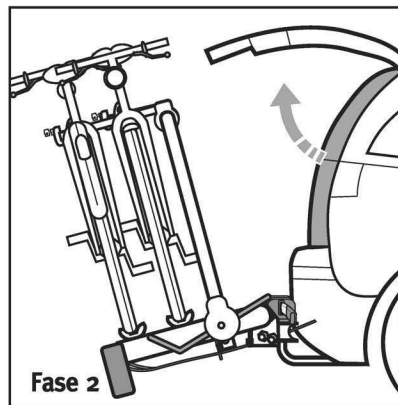
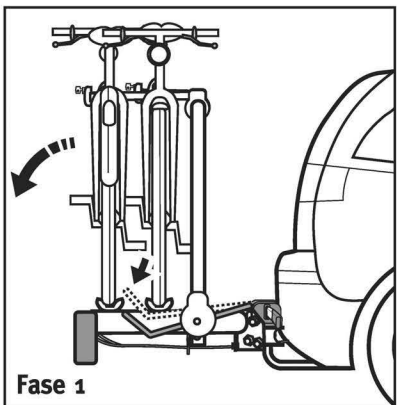
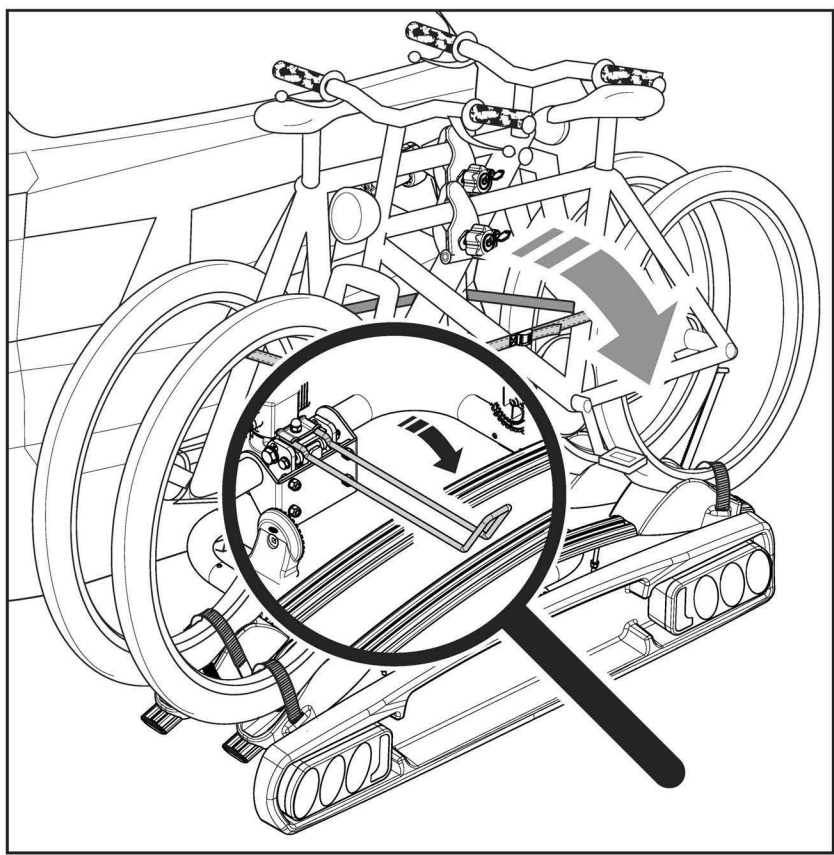
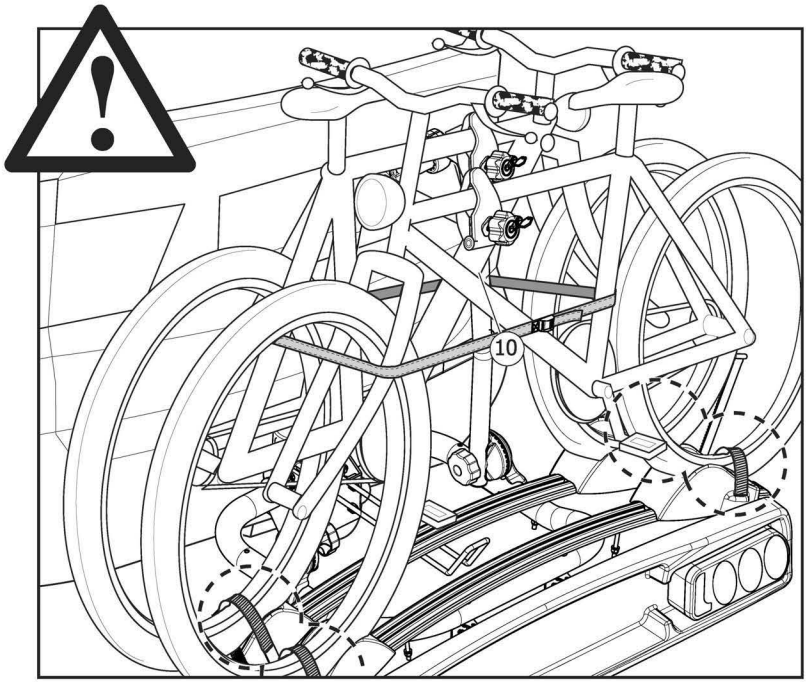


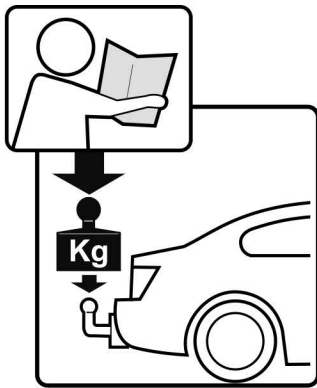
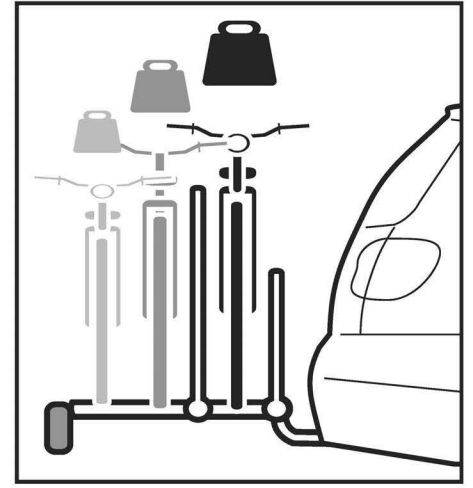
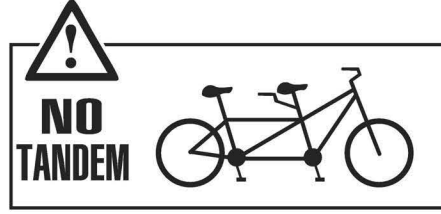
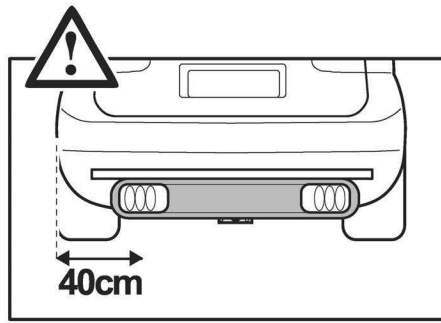
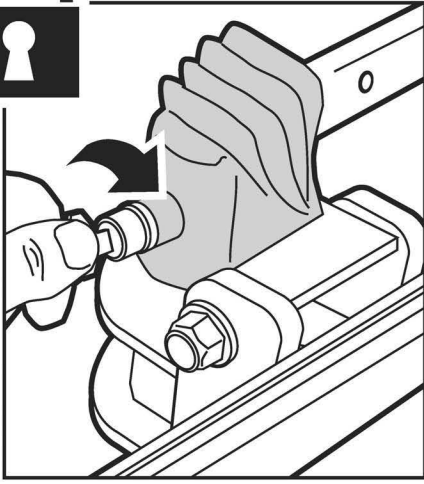
9 WINNY PLUS



10 WINNY - WINNY PLUS

N.		Q.
10	 MT 2,5	1





MAX ↓ Kg	WINNY	MAX 15 Kg 2x	WINNY PLUS	MAX 15 Kg 3x
	50 Kg	16,1 Kg	MAX 33,9 Kg	18,9 Kg
60 Kg	MAX 43,9 Kg		MAX 41,1 Kg	
70 Kg	MAX 53,9 Kg		MAX 51,1 Kg	
80 Kg	MAX 63,9 Kg		MAX 61,1 Kg	
90 Kg	MAX 73,9 Kg		MAX 71,1 Kg	



NSAI

Certification

EEC TYPE APPROVAL CERTIFICATE FOR A SEPARATE TECHNICAL UNIT


(Articles 9(a) of the Council Directive 70/156/EEC of 6 February 1970
on the approximation of the laws of the Member States relating
to the type-approval of motor vehicles and their trailers)

Separate technical unit: *Type of luggage rack*

EEC type-approval number for the separate technical unit: *e24*74/483*87/354*0032*01*

Reason of for extension: *Addition of trade name Inter-Union Technohandel GmbH, Type Silver Star*

1. Trade name or mark: *F.LLI MENABO'
Inter Union Technohandel GmbH*
2. Type: *WINNY*
Version(s): *-Art. 946846D, Type Winny 15kg.,
Kit for 2 bicycles, marked F.lli Menabò
-Art. 947846D, Type Kit Winny 2kg.,
Extension set for 3 bicycles,
marked F.lli Menabò
-Art. 75317, Type 75317/Silver Star
Kit for 2 bicycles, marked Inter Union
Technohandel GmbH
-Art. 75846, Type 75846/Kit Silver Star
Extension set for 3 bicycles, marked
Inter Union Technohandel GmbH*
3. Manufacturer's name and address: *F.LLI MENABO' S.r.l.,
Via Marzo, 8, Z.I. Corte Tegge,
42025 Cavriago (RE),
Italy.*
4. If applicable, name and address of manufacturer's
authorized representative, if any: *N/A.*
5. Characteristics of the separate technical unit: *Carrier device, fitted on a tow bar
with a clamping mechanism,
provided with steel frame aluminium
construction and the facilities of the
transportation of 2 or 3 bicycles.*
6. Limitations of use, if any, and assembly instructions: *See technical report 55 0008 09 Vers.1
and accompanying manufacturers
documentation.*

- 7. Specimen required for EEC type-approval of a separate technical unit submitted on: *2008-11-20*
- 8. Technical service: *TÜV Rheinland Italia S.r.l*
- 9. Date of test report issued by that service: *As before and 2009.05.18*
- 10. Number of test report issued by that service: *55 0008 09 up to Vers.1*
- 11. EEC type-approval for separate technical units has been granted/refused in respect of the luggage rack(s), ski rack(s), radio-receiving or transmitting aerial(s): *granted in respect of luggage racks*
- 12. Place: *Dublin.*
- 13. Date: *21st May 2009*
- 14. Signature: 



15. The following documents bearing the above mentioned EEC type-approval number for a separate technical unit, are annexed to this certificate

..... Technical report number 55 0008 09, Vers. 1

..... Information document No. 5550008-09-01.

14. Remarks:

- Documentation: *66 pages.*

Cod. Art.	Cod. istr.	Data	Creto da	Approvata da
000040600000 000040800000	1000294000002	21/03/2014	EL	LM



Via 8 Marzo, 3 - Z.I. Corte tegge
42025 CAVRIAGO (RE) ITALY
Tel. +39-0522/942840 r.a. - 942798
Fax +39-0522/942948
e-mail: info@flli-menabo.it - <http://www.flli-menabo.it>